



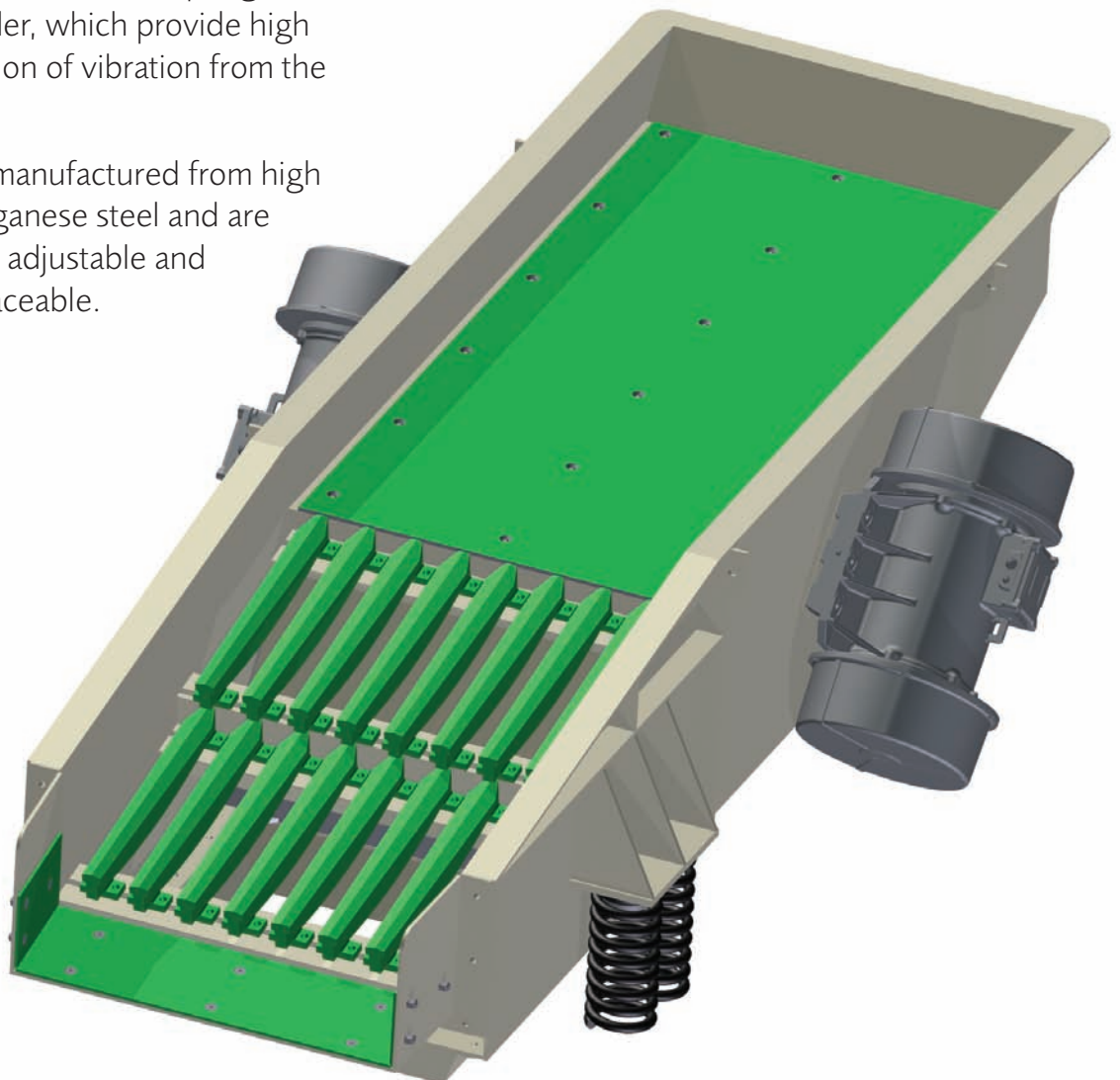
GOODWIN BARSBY
LEICESTER, ENGLAND



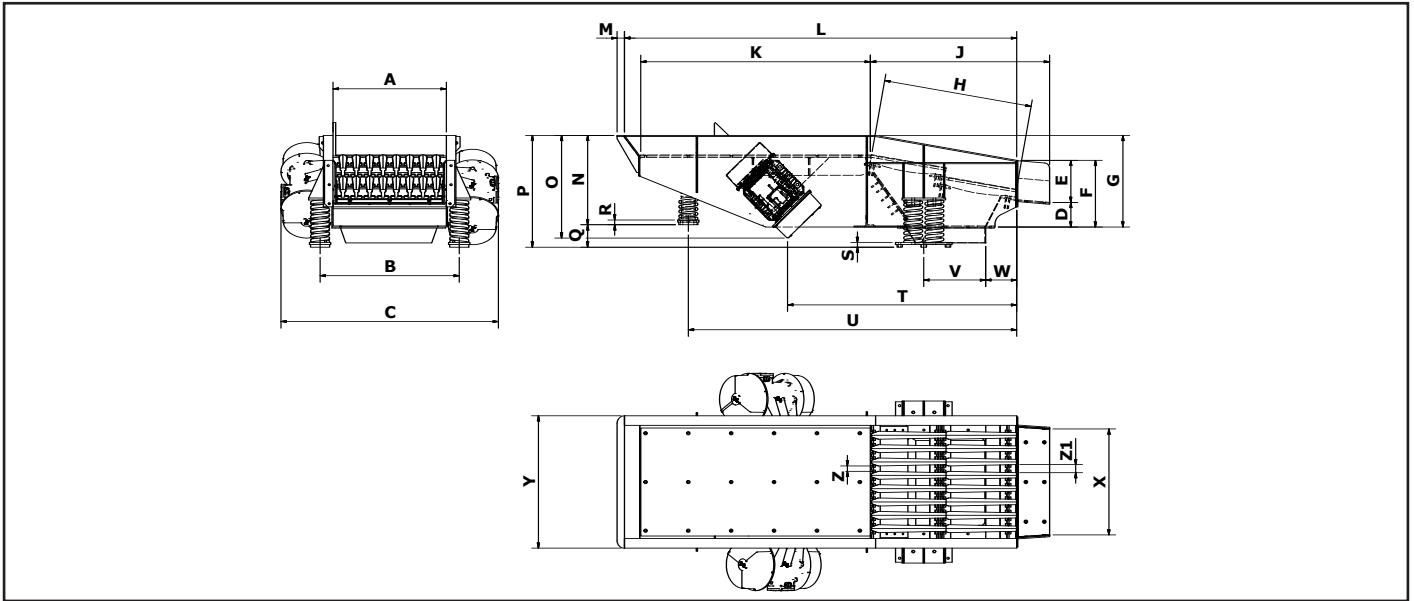
Manufactured in the UK

Vibrating Grizzly Feeders

- Range of Vibrating Grizzly Feeders with outputs upto 500 tonnes per hour.
- Fully manufactured in the United Kingdom and of robust construction to cater for heavy duty applications.
- Ideally suited for installation prior to a primary crusher, where the double drop grizzly bar sections removes fines, boosting throughput and reducing wear and potential overloading of the crusher.
- Higher impact loading shocks absorbed by 8 specially designed low stress springs carrying the feeder, which provide high degrees of isolation of vibration from the superstructure.
- Grizzly bars are manufactured from high quality cast manganese steel and are interchangeable, adjustable and individually replaceable.
- Powered by two out-of-balance vibrating motors complete with feed rate control and each having individual overload protection at a range for both to cut-out should one overload.
- The use of vibrating motors offers the minimum of moving parts, ease of maintenance and low cost running between periods of servicing – dust and weather proof, totally enclosed with no belts, gears or shafts.



Vibrating Grizzly Feeder Specification



Dimensions, Capacities and Weights

Size	A	B	C	D	E	F	G	H	I	J	K	L	M	N	O	P	Q	R	S	T	U	V	W	X	Y	EACH MOTOR (kW)	TONNES PER HOUR	WEIGHT MAX (KG)
750 x 2500 (30" x 8' 2")	750	970	1474	26	410	500	760	920	1292	996	1525	2500	70	735	880	895	160	45	45	1320	2075	355	230	750	906	2.78	200	1700
915 x 3660 (36" x 12')	917	1162	1722	370	385	780	865	1405	1903	1530	2170	3705	70	811	985	1016	205	45	45	2175	3100	683	385	857	1077	4.0	300	3000
1065 x 3660 (42" x 12')	1070	1315	1875	370	385	780	865	1405	1903	1530	2170	3705	70	811	985	1016	205	45	45	2175	3100	683	385	1010	1230	4.0	400	3190
1220 x 4265 (48" x 14')	1220	1466	2130	441	371	865	1000	1405	2120	1680	2792	4270	70	840	1008	1045	205	45	45	2380	3650	664	386	1120	1380	6.2	450	4225
1372 x 4880 (54" x 16')	1370	1670	2284	440	400	690	1000	1830	2425	2105	2934	4880	70	827	1008	1032	205	45	45	2645	4050	612	438	1270	1530	6.2	500	5607

Bar Spacings

Size	NUMBER OF BARS/BAR SPACING IN MM (MEAN SETTING)									
	3	4	5	6	7	8	9	10	11	12
750mm x 2500mm (30" x 8' 2")	130	89	62	42	28	-	-	-	-	-
915mm x 3660mm (36" x 12')	-	130	98	75	57	44	-	-	-	-
1065mm x 3660mm (42" x 12')	-	153	115	88	68	52	39	29	-	-
1220mm x 4265mm (48" x 14')	-	-	140	110	87	69	55	43	33	-
1372mm x 4880mm (54" x 16')	-	-	165	131	105	85	69	56	45	35

Amplitude of Vibration

Pegged Position No.	PEAK TO PEAK (mm)				
	750mm x 2500mm (30" x 8' 2")	915mm x 3660mm (36" x 12')	1065mm x 3660mm (42" x 12')	1220mm x 4265mm (48" x 14')	1372mm x 4880mm (54" x 16')
1	9.36	8.84	8.84	9.24	6.91
2	9.25	8.72	8.72	9.11	6.83
3	8.91	8.40	8.40	8.78	6.58
4	8.35	7.87	7.87	8.23	6.16
5	7.58	7.15	7.15	7.47	5.59
6	6.62	6.25	6.25	6.53	4.89
7	5.51	5.20	5.20	5.43	4.07
8	4.25	4.01	4.01	4.19	3.14
9	2.89	2.73	2.73	2.95	2.14
10	1.46	1.38	1.38	1.44	1.08

AUTHORISED DEALER

Goodwin Barsby
CMS Cepcor, Vulcan Way
Hermitage Industrial Estate
Coalville, Leicestershire LE67 3AP

T: +44 (0) 1530 817000
F: +44 (0) 1530 817111
E: sales@goodwinbarsby.com
W: www.goodwinbarsby.com